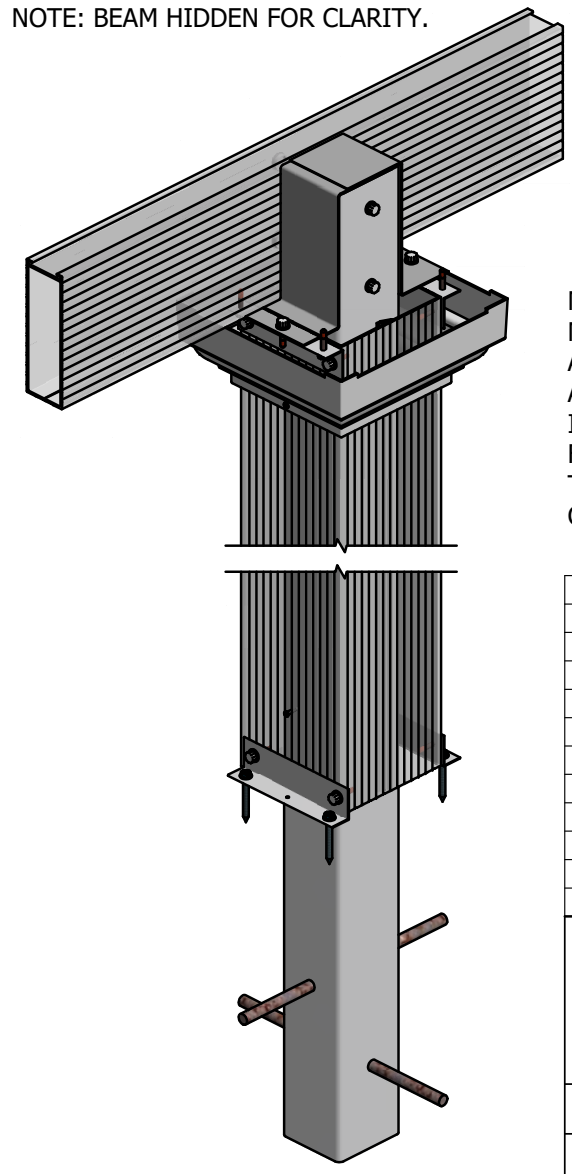


NOTE: BEAM HIDDEN FOR CLARITY.



NOTE:  
MINIMAL POST DIMENSIONAL REQUIREMENTS TO COMPLETE A TYPICAL 8FT. TALL FLORENTINE FREESTANDING COLUMN ASSEMBLY. SPECIFICATION ON POST HEIGHT IS APPLICABLE FOR ADJUSTMENTS THAT RANGE FROM 6FT. TO 8FT. IF A TALLER HEIGHT IS REQUIRED THEN A DIFFERENT POST (ITEM #5) AND FLORENTINE COLUMN (ITEM #9) MUST BE SPECIFIED.

PARTS LIST			
ITEM	QTY	DESCRIPTION	CHK
1	4	#6-32 3/4" LG. TEK PHILIPS FLAT HEAD (BAG OF 5)	
2	4	1/4 X 2-1/14" LG. ANCHOR SCREW (BAG OF 5)	
3	16	#12 x 1" LG. BI-HEX NYLON HEAD (BAG OF 30)	
4	2	1/2" DIA. REBAR	
5	1	3-1/2" SQUARE X 1/8" THICK ALUMINUM POST	
6	2	FLORENTINE BASE / CAPITAL	
7	2	POST CAP	
8	4	3/4" DOME PLUG	
9	1	(2) PIECE FLORENTINE COLUMN 8FT.	
10	4	1 X 1-1/2 X 6-1/4" LG. ANGLE BRACKET	



20400 HALL ROAD CLINTON TWP., MI. 48038

SIZE	DESCRIPTION:	REV.
C	8FT. FLORENTINE COLUMN KIT-FREESTANDING	A
SCALE: NONE	DATE: 3/20/2020	© TEMO SUNROOMS INC. SHEET 1 OF 1