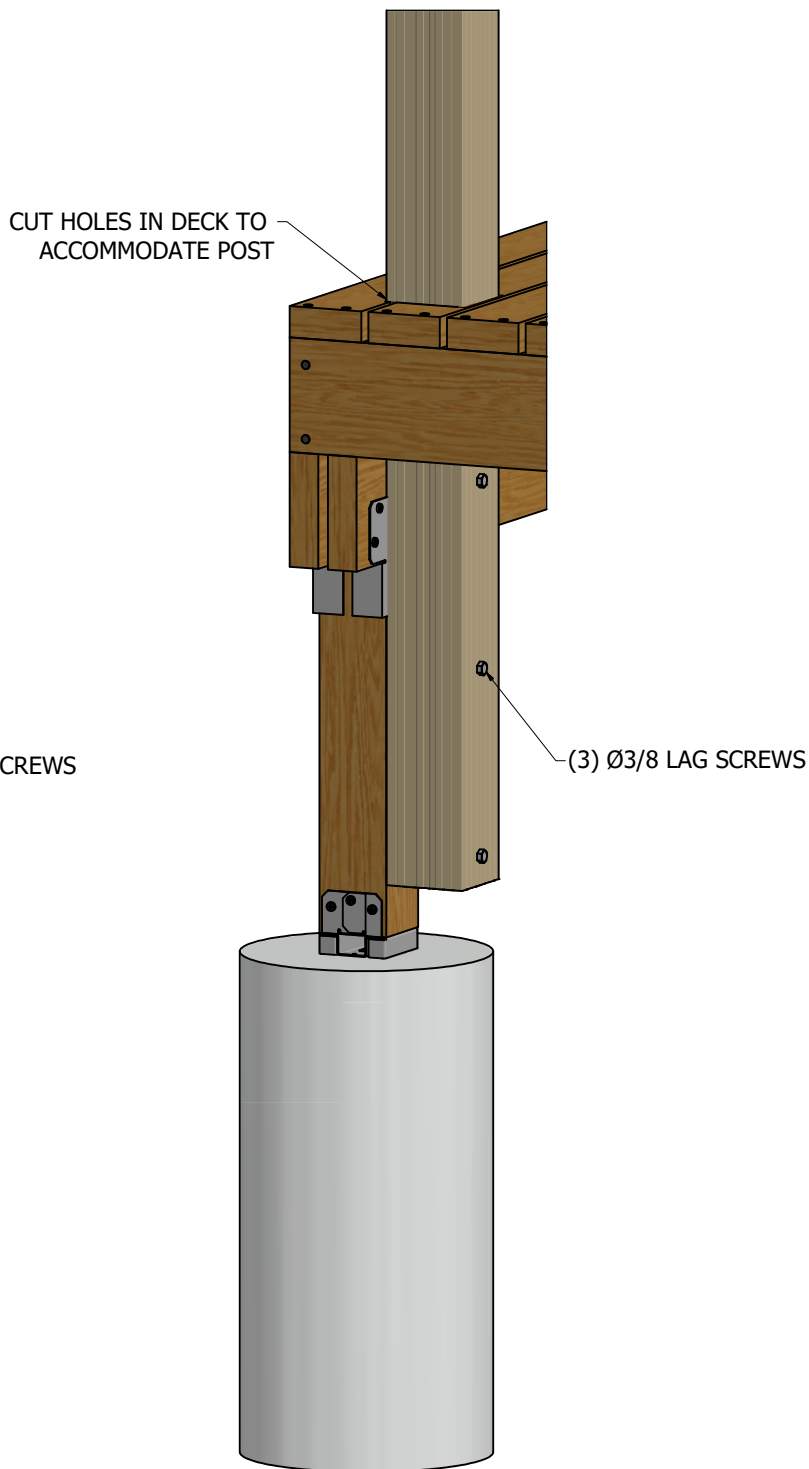
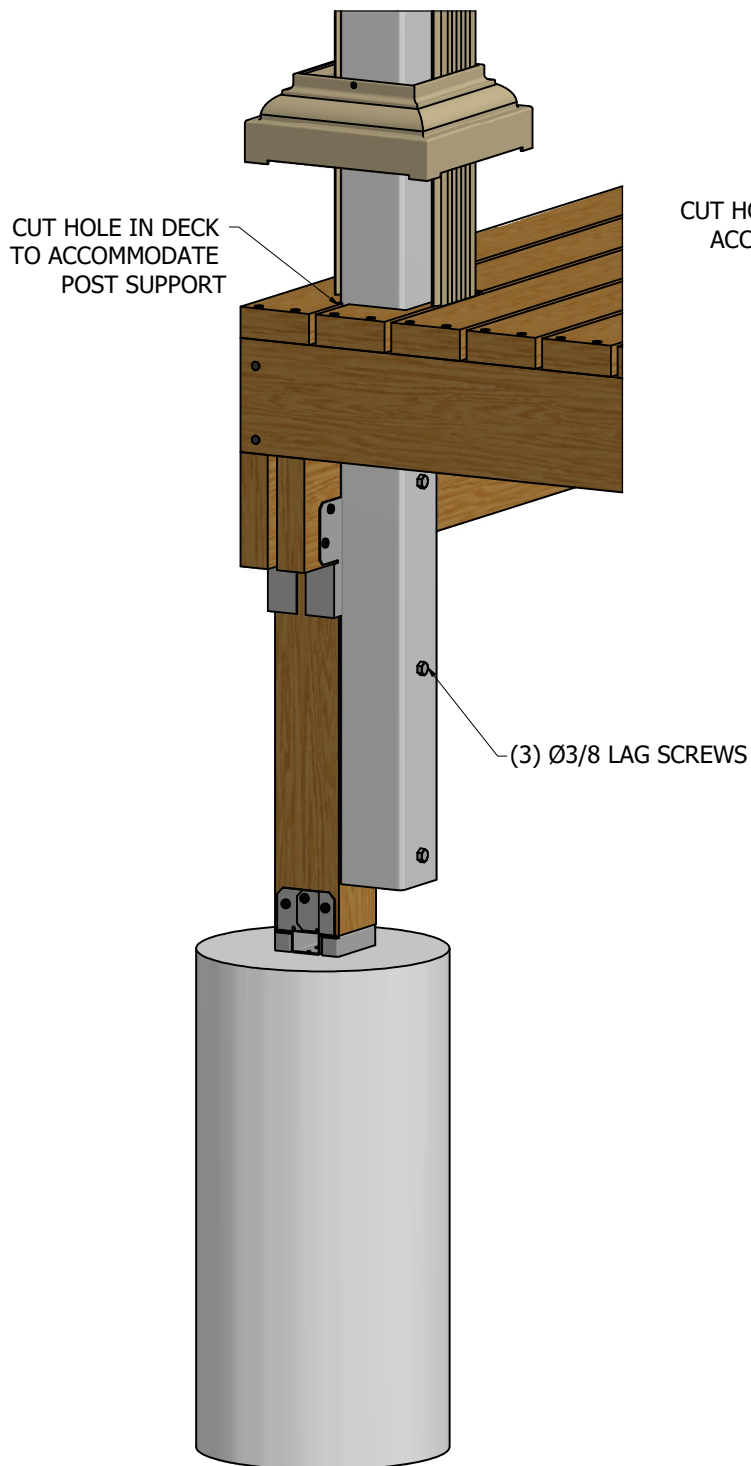


FREESTANDING PERGOLA - DECK INTEGRATION

FLORENTINE & VENETIAN COLUMNS

ROMA POST



DEPICTS FREESTANDING FLORENTINE COLUMN WITH POST CONNECTION TO NEW / EXISTING DECK THE SAME CONNECTION SHOULD BE USED FOR THE FREESTANDING VENETIAN COLUMN

DEPICTS FREESTANDING ROMA POST CONNECTION TO NEW / EXISTING DECK

NOTE: REFERENCE LOCAL WIND CODES AND ENGINEERING TO DETERMINE JOB SITE SPECIFIC CONFIGURATION.



20400 HALL ROAD CLINTON TWP., MI. 48038

SIZE	DESCRIPTION:	REV.
C	FREESTANDING PERGOLA - DECK	A
SCALE: NONE		DATE: 10/15/2020
© TEMO SUNROOMS INC.		SHEET 1 OF 1