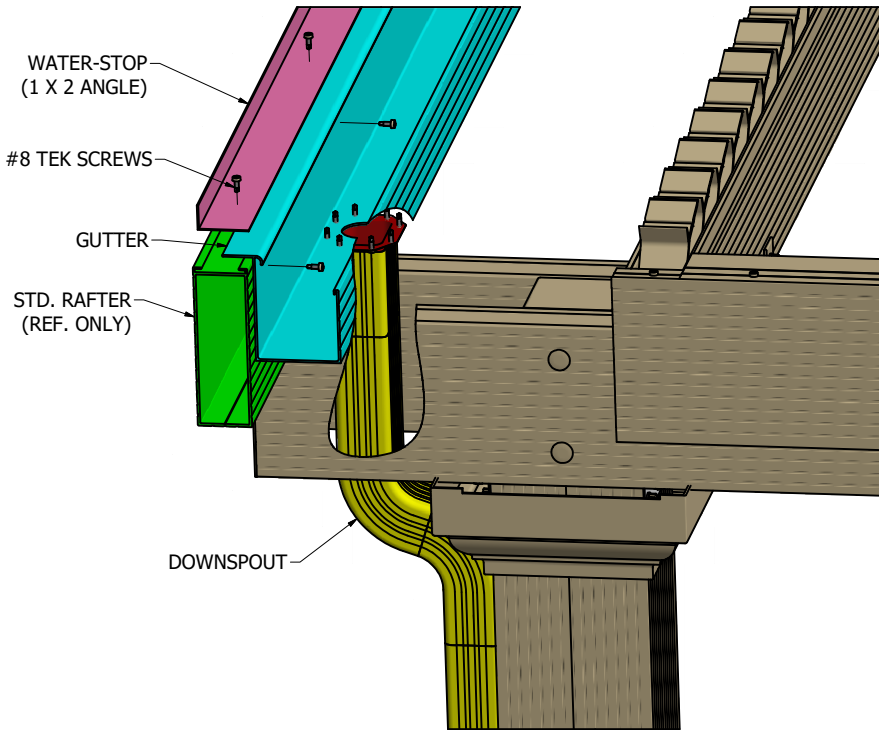
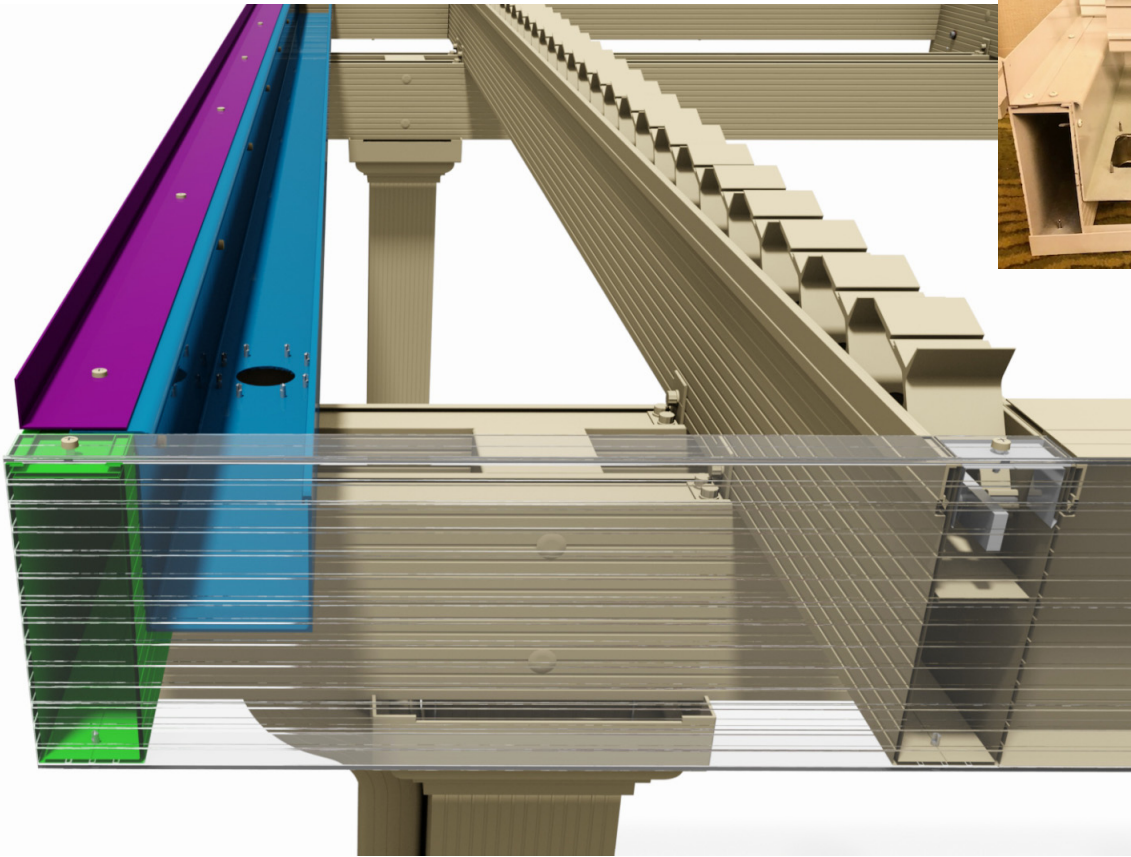
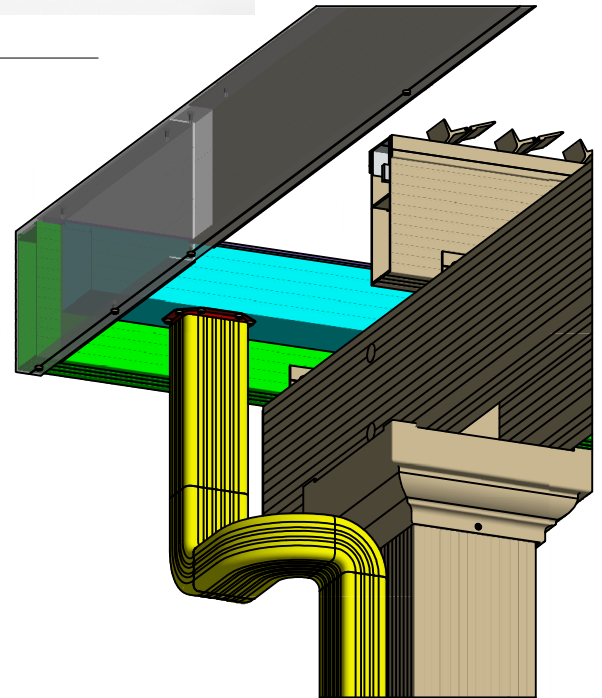


CONTEMPORARY OPERABLE PERGOLA WATER MANAGEMENT SYSTEM



OPTION: DOWNSPOUT POSITION B
(ONLY APPLICABLE TO FREESTANDING UNITS)
VIEW SHOWING LEFT / RIGHT SIDE



OPTION A: DOWNSPOUT POSITION
VIEW SHOWING PERGOLA FRONT / REAR

- NOTES:
1. THIS WATER MANAGEMENT SYSTEM IS SPECIFIC TO CONTEMPORARY OPERABLE PERGOLAS ONLY.
 2. OPTION B POSITION IS ONLY APPLICABLE TO FREESTANDING UNITS WHEN 3 1/2" ALUMINUM SUPPORT POST IS USED.
 3. ROUTING THE DOWNSPOUT DOWN INTO THE COLUMN IS NOT RECOMMENDED.



20400 HALL ROAD CLINTON TWP., MI. 48038

SIZE	DESCRIPTION:	REV.
C	WATER MANAGEMENT SYSTEM	A
SCALE: NONE	DATE: 10/12/2020	© TEMO SUNROOMS INC. SHEET 1 OF 1